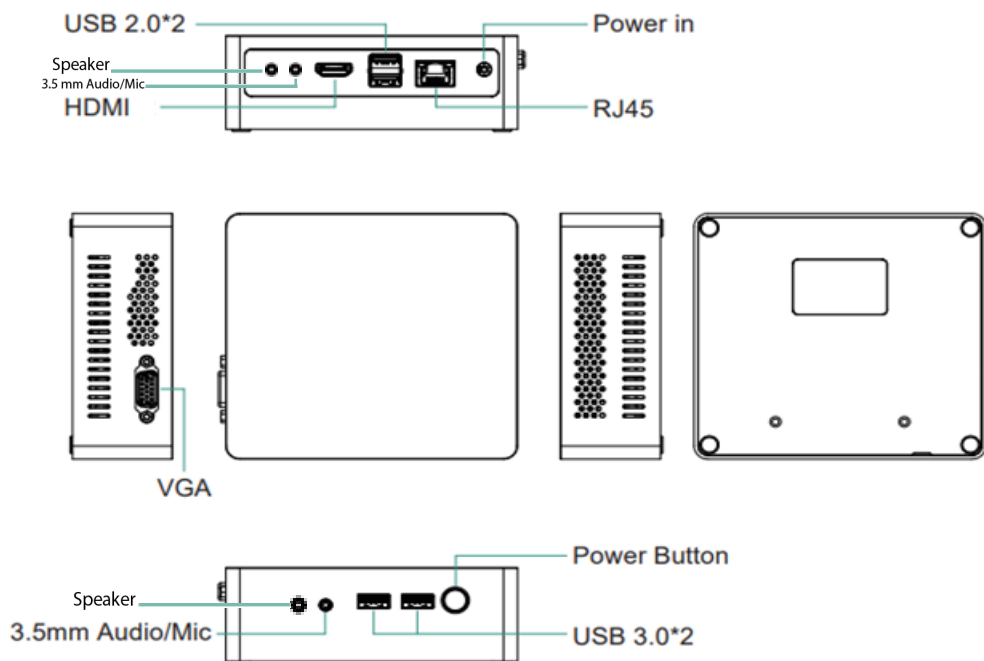


i1000 SPECIFICATION

Key Features

- SOC Quad Core Processor
- DDR4 Support
- Upgradable Storage
- Multiple Operating System Support
- Pre Loaded Management Software
- Supports 4k Display
- Supports Dual Monitor
- Vmware and Citrix Certified
- Cloud PC , C an Work As Independent PC
- Preventive Service Not Required
- 3 to 7 Year Warranty Support



INP Technologies Pvt Ltd, Sanjar Enclave, Khajuria Tank Rd, Kandivali, Bhadran Nagar, Kandivali West, Mumbai, Maharashtra 400067, India.

Specifications

Processor	Intel® Celeron® Processor N Series N5095
No. of Core and Thread	4
Base Frequency	2.0 GHz
Burst Frequency	2.9 GHz
Cache memory	4 MB
Storage	128GB Supports up to 1TB
Memory On Board	4GB DDR4 2666 MHz up to 16 GB 2933 MHz
4k Support	Yes, at 60Hz
Max Resolution	4096x2160@60Hz
Intel® Virtualization Technology for Directed I/O (VT-d)	yes
Graphic	Intel® UHD Graphics
Display Port	VGA , HDMI
USB Port	2xUSB 3.0 2xUSB 2.0
Audio	MIC and Speaker (Universal Audio -Optional)
Ethernet	10/100/1000
Wi-Fi	Built-in Wi-Fi with Bluetooth
Security	Support TPM 2.0
Power	24 V (12V--2A)
Operating system Support	Windows 11 - 64-Bit Edition Windows 10 - 64-Bit Edition RHEL x86 64-Bit Ubuntu x86 64-Bit
Other Preloaded Software	Liber Office, VLC Player, Chrome Browser, Fire Fox Browser, Thunderbird Document Viewer, PDF viewer
Device management Software	Preinstalled Management Software,
Features	Dash Board, Asset Management, Change management, Send Messages/ Broadcast Screen, remote Application Installation, Patch Management, District Wise tree Structuring of each school, hardware and software information, Enable / Disable USP port for Mass Storage, MIS report Etc.



INP Technologies Pvt Ltd, Sanjar Enclave, Khajuria Tank Rd, Kandivali, Bhadran Nagar, Kandivali West, Mumbai, Maharashtra 400067, India.